

POWER MANAGEMENT

This application note is intended to assist designers in the transition from Semtech's SC4525A and SC4525B step-down switching regulators to the SC4525C and SC4525D devices. The SC4525C and SC4525D regulators share the identical footprint as the "A" and "B" versions, so existing customers will not need to make any PCB changes. Only minor external component value adjustments are necessary to ensure the SC4525C and SC4525D perform identically to the SC4525A and SC4525B. The components in Figure 1, marked in red boxes, are those that require adjustments.

Bootstrap Capacitor (C1) — Use $0.33\mu\text{F}$ for C1, the bootstrap capacitor from SW pin to BST pin for the SC4525C and SC4525D devices.

Oscillator Resistor (R5) — Table 1 shows the oscillator frequency setting resistors of the SC4525A and its equivalent SC4525C values. When converting from the SC4525B to SC4525D, only the oscillator resistor for 350kHz switching frequency needs to be changed from $73.2\text{k}\Omega$ to $60.4\text{k}\Omega$.

Compensation Network (R7, C5 and C8) — Table 2 shows the compensation network component values for the SC4525A and SC4525C. Table 3 shows the compensation network component values of the SC4525B and SC4525D.

Table 1 — Oscillator resistor value change from SC4525A to SC4525C

Frequency (kHz)	SC4525A/B	SC4525C/D
	ROSC / R5 (k Ω)	ROSC / R5 (k Ω)
200	154.0	110.0
250	121.0	84.5
300	90.9	69.8
350	73.2	57.6
400	60.4	49.9
500	47.5	38.3
600	33.2	30.9
700	30.1	25.5
800	25.5	21.5
900	22.1	18.2
1000	18.2	15.8
1100	16.5	14.0
1200	14.7	12.4
1300	13.0	11.0
1400	11.3	9.76
1500	9.76	8.87
1600	8.87	8.06
1700	8.06	7.15
1800	6.98	6.34
1900	6.19	5.62
2000	5.36	5.23

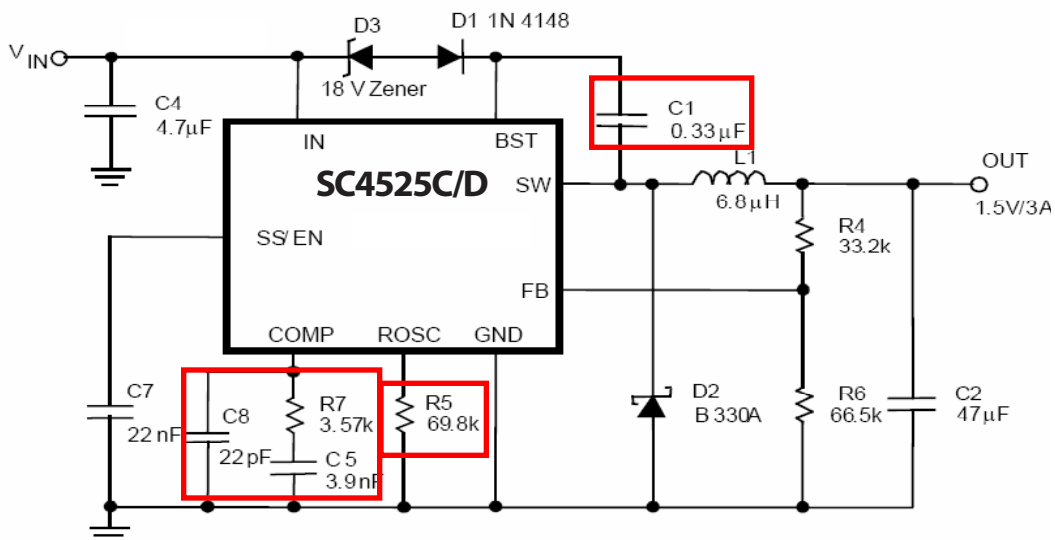


Figure 1 — SC4525C/D Application Schematic

Table 2 — Compensation component value change from SC4525A to SC4525C

Typical Applications					SC4525A Recommended Parameters				SC4525C Recommended Parameters										
V _{IN} (V)	V _O (V)	I _O (A)	F _{sw} (Hz)	C2 (μF)	L1 (μH)	R7 (kΩ)	C5 (nF)	C8 (pF)	L1 (μH)	R7 (kΩ)	C5 (nF)	C8 (pF)	Snubber						
12	1.5	3	500	47	3.3	10	2.2	10	3.3	5.23	3.9	22	no						
			500		4.7	16.2	2.2		4.7	8.45	3.9								
	1000		2.2		29.4	0.47	2.2		15.4	0.82									
	3.3		500		6.8	23.2	2.2		6.8	12.1	3.9								
			1000		3.3	39.2	0.47		3.3	20.5	0.82								
	5		500		6.8	29.4	2.2		6.8	15.4	3.9								
			1000		3.3	69.8	0.47		3.3	36.5	0.82								
	7.5		500		6.8	43.2	2.2		6.8	22.6	3.9								
			1000		3.3	90.9	0.47		3.3	47.5	0.82								
	10		500		3.3	69.8	2.2		3.3	36.5	3.9								
			1000		2.2	133	0.47		Not Recommended										
	24		1.5		3	300	47		6.8	6.81	2.2			10	6.8	3.57	3.9	22	1Ω+ 220pF
						500			6.8	12.4	2.2				6.8	6.49	3.9		
			1000			2.2			29.4	0.47	Not Recommended								
3.3		500	6.8	23.2		2.2		6.8	12.1	3.9									
		1000	3.3	43.2		0.47		3.3	22.6	0.82									
5		500	8.2	29.4		2.2		8.2	15.4	3.9									
		1000	4.7	59		0.47		4.7	30.9	0.82									
7.5		500	10	49.9		2.2		10	26.1	3.9									
		1000	4.7	100		0.47		4.7	52.3	0.82									
10		500	15	59		2.2		15	30.9	3.9									
		1000	6.8	133		0.47		6.8	69.8	0.82									

Table 3 — Compensation component value change from SC4525B to SC4525D

Typical Applications				SC4525B Recommended Parameters				SC4525D Recommended Parameters				
V _{IN} (V)	V _O (V)	I _O (A)	C2 (μF)	L1 (μH)	R7 (kΩ)	C5 (nF)	C8 (pF)	L1 (μH)	R7 (kΩ)	C5 (nF)	C8 (pF)	
3.3	1.0	3	47	3.3	7.15	3.2	22	3.3	3.74	6.8	47	
	2.0			2.2	12.4	1.5		2.2	6.49	3.3		
5	1.5			3.3	7.15	3.3		3.3	3.74	6.8		
	2.5			4.7	12.4	2.2		4.7	6.49	4.7		
12	3.3			4.7	14.32	1.5	33	4.7	7.5	3.3		68
	1.5			4.7	7.15	3.2	47	4.7	3.74	6.8		82
	2.5	6.8	13.3	2.2	6.8	6.98		4.7				
	3.3	8.2	16.5	1.5	33	8.2	8.66	3.3	68			
	5	10	22.1	1.0	22	10	11.5	2.2	47			
7.5	10	34.8	1.0	10		18.2	2.2					

$V_{OUT} > 8V$ Applications

If $V_{OUT} > 8V$ then use a small Schottky diode D1 (BAT54 or similar) for bootstrapping.

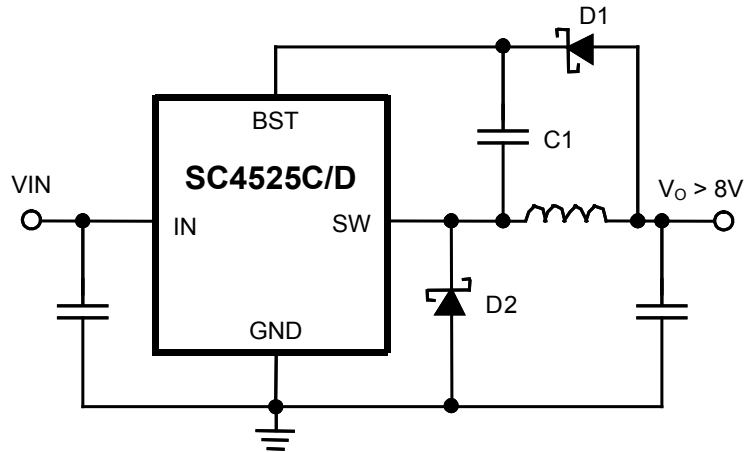


Figure 2 — Bootstrapping the SC4525C/D when $V_{OUT} > 8V$

Electrical Characteristics Changes

Some electrical specifications have changed on the SC4525C and SC4525D. The differences between the SC4525A/B and SC4525C/D are minor and have minimal impact on the circuit performance. The comparison results are shown in Tables 4 and 5.

Table 4 — SC4525A and SC4525C Electrical Characteristic Comparison

Parameter	SC4525A			SC4525C		
	Minimum	Typical	Maximum	Minimum	Typical	Maximum
V_{IN} Quiescent Current in Shutdown (μA)			50			52
Error Amplifier Transconductance ($\mu\Omega^{-1}$)		280			300	
COMP Pin to Switch Current Gain (A/V)		12			15.2	
Foldback Frequency (kHz) — ROSC = 93.1k $\Omega^{(1)}$	240	300	360	230	300	370
Foldback Frequency (kHz) — ROSC = 12.1k Ω , VFB = 0	110	230	350	100		250
Foldback Frequency (kHz) — ROSC = 93.1k $\Omega^{(1)}$, VFB = 0	50	110	170	35	60	90
SS/EN Switching Threshold (V)	1	1.13	1.3	0.95	1.2	1.4
Soft-start Charging Current (μA) — VSS/EN = 0V		1.7			1.9	
Soft-start Charging Current (μA) — VSS/EN = 1.5V	1.2	2	2.8	1.6	2.4	3.2
Integrated Current Sense Resistor (m Ω)		4.1			3.53	
Internal Current Limit Voltage Threshold (mV)		20			18	

NOTE: (1) 73.2k Ω for the SC4525C

Table 5 — SC4525B and SC4525D Electrical Characteristic Comparison

Parameter	SC4525B			SC4525D		
	Minimum	Typical	Maximum	Minimum	Typical	Maximum
V_{IN} Quiescent Current in Shutdown (μA)			50			52
Error Amplifier Transconductance ($\mu\Omega^{-1}$)		280			300	
COMP Pin to Switch Current Gain (A/V)		12			15.2	
Foldback Frequency (kHz) — ROSC = 73.2k $\Omega^{(1)}$, VFB = 0	35	100	185	35	65	100
SS/EN Switching Threshold (V)	0.95	1.13	1.35	0.95	1.2	1.4
Soft-start Charging Current (μA) — VSS/EN = 0V		1.7			1.9	
Soft-start Charging Current (μA) — VSS/EN = 1.5V	1.2	2	2.8	1.6	2.4	3.2

NOTE: (1) 60.4k Ω for the SC4525D

© Semtech 2011

All rights reserved. Reproduction in whole or in part is prohibited without the prior written consent of the copyright owner. The information presented in this document does not form part of any quotation or contract, is believed to be accurate and reliable and may be changed without notice. No liability will be accepted by the publisher for any consequence of its use. Publication thereof does not convey nor imply any license under patent or other industrial or intellectual property rights. Semtech assumes no responsibility or liability whatsoever for any failure or unexpected operation resulting from misuse, neglect improper installation, repair or improper handling or unusual physical or electrical stress including, but not limited to, exposure to parameters beyond the specified maximum ratings or operation outside the specified range.

SEMTECH PRODUCTS ARE NOT DESIGNED, INTENDED, AUTHORIZED OR WARRANTED TO BE SUITABLE FOR USE IN LIFE-SUPPORT APPLICATIONS, DEVICES OR SYSTEMS OR OTHER CRITICAL APPLICATIONS. INCLUSION OF SEMTECH PRODUCTS IN SUCH APPLICATIONS IS UNDERSTOOD TO BE UNDERTAKEN SOLELY AT THE CUSTOMER'S OWN RISK. Should a customer purchase or use Semtech products for any such unauthorized application, the customer shall indemnify and hold Semtech and its officers, employees, subsidiaries, affiliates, and distributors harmless against all claims, costs damages and attorney fees which could arise.

Notice: All referenced brands, product names, service names and trademarks are the property of their respective owners.

Contact Information

Semtech Corporation
Power Management Products Division
200 Flynn Road, Camarillo, CA 93012
Phone: (805) 498-2111 Fax: (805) 498-3804

www.semtech.com